



SAMXON BRAND ALUMINUM ELECTROLYTIC CAPACITORS

PRODUCT SPECIFICATION

規格書

CUSTOMER :
(客戶) : 志盛翔

DATE :
(日期) : 2017-07-19

CATEGORY (品名) : ALUMINUM ELECTROLYTIC CAPACITORS
DESCRIPTION (型号) : SK 100V470 μ F(ϕ 18X25)
VERSION (版本) : 01
Customer P/N :
SUPPLIER :

SUPPLIER	
PREPARED (拟定)	CHECKED (审核)
李婷	刘渭清

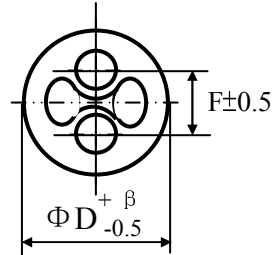
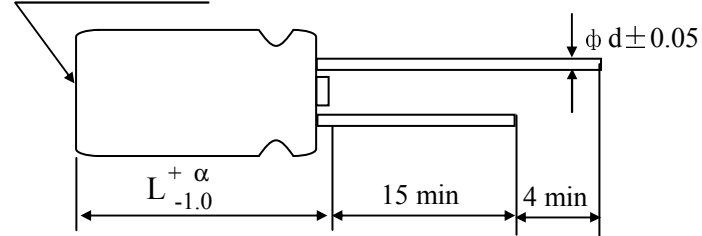
CUSTOMER	
APPROVAL (批准)	SIGNATURE (签名)

SPECIFICATION

ALTERNATION HISTORY

Table 1 Product Dimensions and Characteristics

Safety vent for $\geq \Phi 6.3$



Unit: mm

α	$L < 20 : \alpha = 1.5 ; L \geq 20 : \alpha = 2.0$
β	$\Phi D < 20 : \beta = 0.5 ; \Phi D \geq 20 : \beta = 1.0$

* If it is flat rubber, there is no bulge from the flat rubber surface.

Table 1

No.	SAMXON Part No.	WV (Vdc)	Cap. (μ F)	Cap. tolerance	Temp. range ($^{\circ}$ C)	tan δ (120Hz, 20 $^{\circ}$ C)	Leakage Current (μ A, 2min)	Max Ripple Current at 105 $^{\circ}$ C 100kHz (mA rms)	Impedance at 20 $^{\circ}$ C 100kHz (Ω max)	Load lifetime (Hrs)	Dimension (mm)			Sleeve
											D \times L	F	ϕ d	
2	ESK477M2AL25RR**P	100	470	-20%~+20%	-40~105	0.08	470	2500	0.036	10000	18X25	7.5	0.8	PET

Issued-date: 2017-07-19

Specification Sheet – SK

Version

01

Page 2

STANDARD MANUAL

CONTENTS

	Sheet
1. Application	4
2. Part Number System	4
3. Construction	5
4. Characteristics	6~13
4.1 Rated voltage & Surge voltage	
4.2 Capacitance (Tolerance)	
4.3 Leakage current	
4.4 $\tan \delta$	
4.5 Impedance	
4.6 Terminal strength	
4.7 Temperature characteristic	
4.8 Load life test	
4.9 Shelf life test	
4.10 Surge test	
4.11 Vibration	
4.12 Solderability test	
4.13 Resistance to solder heat	
4.14 Change of temperature	
4.15 Damp heat test	
4.16 Vent test	
4.17 Maximum permissible (ripple current)	
5. List of “Environment-related Substances to be Controlled (‘Controlled Substances’)”	14
Attachment: Application Guidelines	15~20

1. Application

This specification applies to polar Aluminum electrolytic capacitor (foil type) used in electronic equipment. Designed capacitor's quality meets IEC60384.

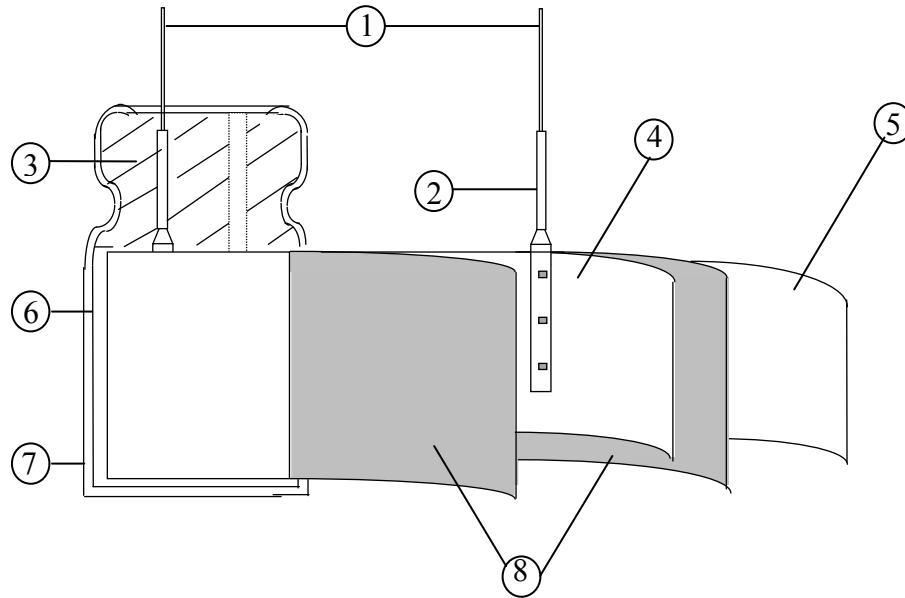
2. Part Number System



Series	Cap(MFD)	Code	Tolerance (%)	Code	Voltage (W.V.)	Code	Case Size (Diameter) Code	Feature	Code	SAMXON Product Line
ESM	0.1	104	± 5	J	2	OD	3	Radial bulk	RFR	For internal use only (The product lines we have H,A,B,C,D, E,M or 0,1,2,3,4,5,9).
EKF					2.5	OE	3.5	Ammo Taping		
ESS					4	OG	4			
EKS	0.22	224	± 10	K	6.3	OJ	5	2.0mm Pitch	TT	
EGS					8	OK	6.3			
EKM					10	1A	8	2.5mm Pitch	TU	
EKG	0.33	334	± 15	L	12.5	1B	10		3.5mm Pitch	
EOM					16	1C	10			
EZM					12.5	1B	13	5.0mm Pitch	TC	
EZS	0.47	474	± 20	M	20	1D	13		Lead Cut & Form	
EGF					25	1E	14			
ESF					30	1I	14.5	CB-Type		CB
EGT	2.2	225	± 30	N	32	13	CE-Type			CE
EGK					35	1V		16		
EGE					40	1G	16	HE-Type		HE
EGD	3.3	335	-40 0	W	42	1M	KD-Type			KD
EGC					50	1H		18		
ERS					57	1L	18.5	FD-Type		FD
ERF	4.7	475	-20 0	A	63	1J	EH-Type			EH
ERL					71	1S		20		
ERR					75	1T	22	PCB Terminal		
ERT	10	106	-20 +10	C	80	1K	Snap-in		SW	
ERE					85	1R		25		
ERD					90	19	25	Lug	SG	
ERH	22	226	-20 +40	X	100	2A	Screw		O5	
EBD					120	2O		30	O6	
ERA					125	2B		30		T5
ERB	33	336	-20 +50	S	150	2Z		T6		
ERC					160	2C			30	
EFA					180	2P		30	D5	
ENP	47	476	-10 +20	V	200	2D		D6		
ENH					215	22			30	
ERW					220	2N		30	Screw	
ERY	100	107	-10 0	B	230	23		O5		
ELP					250	2E	30			O6
EAP					275	2T	30	T5		
EOP	220	227	-5 +15	F	300	2I	T6			
EDP					310	2R		30		
ETP					315	2F	30	D5		
FHP	330	337	0 +20	R	350	2V	D6			
EUP					360	2X		35		
EKP					375	2Q	35	Screw		
EEP	470	477	0 +50	I	385	2Y	O5			
EFF					400	2G			35	O6
ESP					420	2M	35		T5	
FVP	2200	228	-5 +10	E	450	2W	T6			
EGP					500	2H			35	
EWR					550	25	35		D5	
FWLJ	22000	229	-5 +15	F	600	26	D6			
EWT					630	2J			35	
EWX					100000	10T	35		Screw	
EFW	47000	479	0 +20	R	100	1I	O5			
EWS					105	1K		100		O6
EWL					110	1M	100	T5		
VSS	150000	15T	0 +30	O	120	1N	T6			
VNS					130	1P		100		
VKS					140	1Q	100	D5		
YKM	220000	22T	0 +50	I	150	1R	D6			
VRL					155	1E		100		
VNH					170	1T	100	Screw		
VZS	330000	33T	+5 +15	Z	180	1U	O5			
VRF					190	1V			100	O6
					200	2L	100		T5	
	215	2A	100	T6						
	210	2M	100		D5					
	220	2N	100	D6						
	240	2Q	100		Screw					
	250	2R	100	Screw						
	260	2S	100		Screw					
	270	2T	100	Screw						

3. Construction

Single ended type to be produced to fix the terminals to anode and cathode foil, and wind together with paper, and then wound element to be impregnated with electrolyte will be enclosed in an aluminum case. Finally sealed up tightly with end seal rubber, then finished by putting on the vinyl sleeve.



No	Component	Material
1	Lead Line	Tinned CP wire (Pb Free)
2	Terminal	Aluminum wire
3	Rubber seal	Rubber
4	Al-Foil (+)	Formed aluminum foil
5	Al-Foil (-)	Etched aluminum foil or formed aluminum foil
6	Case	Aluminum case
7	Sleeve	PVC/PET
8	Separator	Electrolyte paper

Name

Specification Sheet – SK

Version

01

Page

5

STANDARD MANUAL

MAN YUE ELECTRONICS COMPANY LIMITED	<i>ELECTROLYTIC CAPACITOR SPECIFICATION SK SERIES</i>	SAMXON	

4. Characteristics

Standard atmospheric conditions

Unless otherwise specified, the standard range of atmospheric conditions for making measurements and tests is as follows:

Ambient temperature : 15°C to 35°C
 Relative humidity : 45% to 85%
 Air Pressure : 86kPa to 106kPa

If there is any doubt about the results, measurement shall be made within the following conditions:

Ambient temperature : 20°C ± 2°C
 Relative humidity : 60% to 70%
 Air Pressure : 86kPa to 106kPa

Operating temperature range

The ambient temperature range at which the capacitor can be operated continuously at rated voltage
 See table 1 temperature range.

As to the detailed information, please refer to table 2

Name		Specification Sheet – SK	
Version	01	Page	6
STANDARD MANUAL			

Table2

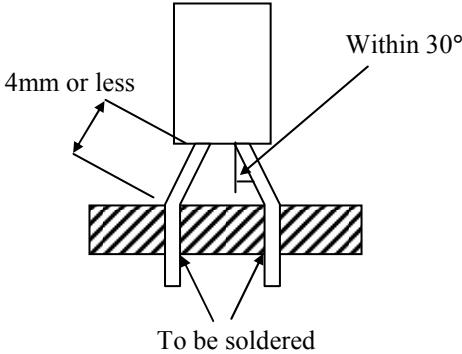
ITEM		PERFORMANCE							
4.1	Rated voltage (WV)	WV (V.DC)	10	16	25	35	50	80	100
	Surge voltage (SV)	SV (V.DC)	13	20	32	44	63	100	125
4.2	Nominal capacitance (Tolerance)	<p><Condition> Measuring Frequency :120Hz±12Hz Measuring Voltage : Not more than 0.5Vrms Measuring Temperature : 20±2°C</p> <p><Criteria> Shall be within the specified capacitance tolerance.</p>							
4.3	Leakage current	<p><Condition> Connecting the capacitor with a protective resistor (1KΩ±10Ω) in series for 2 minutes, and then, measure Leakage Current.</p> <p><Criteria> please refer to table 1</p>							
4.4	tan δ	<p><Condition> See 4.2, Norm Capacitance, for measuring frequency, voltage and temperature.</p> <p><Criteria> please refer to table 1</p>							
4.5	Impedance	<p><Condition> Measuring frequency:100kHz; Measuring temperature:20±2°C Measuring point: 2mm max. from the surface of a sealing rubber on the lead wire.</p> <p><Criteria> please refer to table 1</p>							

Name		Specification Sheet – SK		
Version	01	Page	7	
STANDARD MANUAL				

4.6	Terminal strength	<p><Condition> Tensile Strength of Terminals Fixed the capacitor, applied force to the terminal in lead out direction for 10 ± 1 seconds. Bending Strength of Terminals Fixed the capacitor, applied force to bent the terminal (1~4 mm from the rubber) for 90° within 2~3 seconds, and then bent it for 90° to its original position within 2~3 seconds.</p> <table border="1" data-bbox="604 613 1453 761"> <thead> <tr> <th>Diameter of lead wire</th> <th>Tensile force N (kgf)</th> <th>Bending force N (kgf)</th> </tr> </thead> <tbody> <tr> <td>0.5mm and less</td> <td>5 (0.51)</td> <td>2.5 (0.25)</td> </tr> <tr> <td>Over 0.5mm to 0.8mm</td> <td>10 (1.0)</td> <td>5 (0.51)</td> </tr> </tbody> </table> <p><Criteria> No noticeable changes shall be found, no breakage or looseness at the terminal.</p>	Diameter of lead wire	Tensile force N (kgf)	Bending force N (kgf)	0.5mm and less	5 (0.51)	2.5 (0.25)	Over 0.5mm to 0.8mm	10 (1.0)	5 (0.51)									
Diameter of lead wire	Tensile force N (kgf)	Bending force N (kgf)																		
0.5mm and less	5 (0.51)	2.5 (0.25)																		
Over 0.5mm to 0.8mm	10 (1.0)	5 (0.51)																		
4.7	Temperature characteristics	<p><Condition></p> <table border="1" data-bbox="588 969 1458 1205"> <thead> <tr> <th>STEP</th> <th>Testing Temperature(°C)</th> <th>Time</th> </tr> </thead> <tbody> <tr> <td>1</td> <td>20 ± 2</td> <td>Time to reach thermal equilibrium</td> </tr> <tr> <td>2</td> <td>-40 ± 3</td> <td>Time to reach thermal equilibrium</td> </tr> <tr> <td>3</td> <td>20 ± 2</td> <td>Time to reach thermal equilibrium</td> </tr> <tr> <td>4</td> <td>105 ± 2</td> <td>Time to reach thermal equilibrium</td> </tr> <tr> <td>5</td> <td>20 ± 2</td> <td>Time to reach thermal equilibrium</td> </tr> </tbody> </table> <p><Criteria></p> <p>a. $\tan \delta$ shall be within the limit of Item 4.4 The leakage current measured shall not more than 8 times of its specified value.</p> <p>b. In step 5, $\tan \delta$ shall be within the limit of Item 4.4 The leakage current shall not more than the specified value</p>	STEP	Testing Temperature(°C)	Time	1	20 ± 2	Time to reach thermal equilibrium	2	-40 ± 3	Time to reach thermal equilibrium	3	20 ± 2	Time to reach thermal equilibrium	4	105 ± 2	Time to reach thermal equilibrium	5	20 ± 2	Time to reach thermal equilibrium
STEP	Testing Temperature(°C)	Time																		
1	20 ± 2	Time to reach thermal equilibrium																		
2	-40 ± 3	Time to reach thermal equilibrium																		
3	20 ± 2	Time to reach thermal equilibrium																		
4	105 ± 2	Time to reach thermal equilibrium																		
5	20 ± 2	Time to reach thermal equilibrium																		

Name		Specification Sheet – SK	
Version	01	Page	8
STANDARD MANUAL			

4.7		<p>b. At-25°C, impedance (Z) ratio shall not exceed the value of the following table.</p> <table border="1" style="margin-left: 20px; border-collapse: collapse;"> <tr> <td style="text-align: center;">Working Voltage (V)</td> <td style="text-align: center;">6.3</td> <td style="text-align: center;">10</td> <td style="text-align: center;">16</td> <td style="text-align: center;">25</td> <td style="text-align: center;">35</td> <td style="text-align: center;">50</td> </tr> <tr> <td style="text-align: center;">Z-25°C/Z+20°C</td> <td style="text-align: center;">2</td> <td style="text-align: center;">2</td> <td style="text-align: center;">2</td> <td style="text-align: center;">2</td> <td style="text-align: center;">2</td> <td style="text-align: center;">2</td> </tr> </table> <p>Capacitance, $\tan \delta$, and impedance shall be measured at 120Hz.</p>	Working Voltage (V)	6.3	10	16	25	35	50	Z-25°C/Z+20°C	2	2	2	2	2	2
Working Voltage (V)	6.3	10	16	25	35	50										
Z-25°C/Z+20°C	2	2	2	2	2	2										
4.8	Load life test	<p><Condition> According to IEC60384-4No.4.13 methods, The capacitor is stored at a at a temperature of $105^{\circ}\text{C} \pm 2$ with DC bias voltage plus the rated ripple current for Table 1 (The sum of DC and ripple peak voltage shall not exceed the rated working voltage) Then the product should be tested after 16 hours recovering time at atmospheric conditions. The result should meet the following table:</p> <p><Criteria> The characteristic shall meet the following requirements.</p> <table border="1" style="margin-left: 20px; border-collapse: collapse;"> <tr> <td style="text-align: center;">Leakage current</td> <td>Value in 4.3 shall be satisfied</td> </tr> <tr> <td style="text-align: center;">Capacitance Change</td> <td>Within $\pm 25\%$ of initial value(6.3,10V:$\leq \pm 30\%$)</td> </tr> <tr> <td style="text-align: center;">$\tan \delta$</td> <td>Not more than 200% of the specified value.</td> </tr> <tr> <td style="text-align: center;">Appearance</td> <td>There shall be no leakage of electrolyte.</td> </tr> </table>	Leakage current	Value in 4.3 shall be satisfied	Capacitance Change	Within $\pm 25\%$ of initial value(6.3,10V: $\leq \pm 30\%$)	$\tan \delta$	Not more than 200% of the specified value.	Appearance	There shall be no leakage of electrolyte.						
Leakage current	Value in 4.3 shall be satisfied															
Capacitance Change	Within $\pm 25\%$ of initial value(6.3,10V: $\leq \pm 30\%$)															
$\tan \delta$	Not more than 200% of the specified value.															
Appearance	There shall be no leakage of electrolyte.															
4.9	Shelf life test	<p><Condition> The capacitors are then stored with no voltage applied at a temperature of $105 \pm 2^{\circ}\text{C}$ for 1000+48/0 hours. Following this period the capacitors shall be removed from the test chamber and be allowed to stabilized at room temperature for 4~8 hours. Next they shall be connected to a series limiting resistor($1\text{k} \pm 100 \Omega$) with D.C. rated voltage applied for 30min. After which the capacitors shall be discharged, and then, tested the characteristics.</p> <p><Criteria> The characteristic shall meet the following requirements.</p> <table border="1" style="margin-left: 20px; border-collapse: collapse;"> <tr> <td style="text-align: center;">Leakage current</td> <td>Value in 4.3 shall be satisfied</td> </tr> <tr> <td style="text-align: center;">Capacitance Change</td> <td>Within $\pm 25\%$ of initial value(6.3,10V:$\leq \pm 30\%$)</td> </tr> <tr> <td style="text-align: center;">$\tan \delta$</td> <td>Not more than 200% of the specified value.</td> </tr> <tr> <td style="text-align: center;">Appearance</td> <td>There shall be no leakage of electrolyte.</td> </tr> </table> <p>Remark: If the capacitors are stored more than 1 year, the leakage current may increase. Please apply voltage through about 1 kΩ resistor, if necessary.</p>	Leakage current	Value in 4.3 shall be satisfied	Capacitance Change	Within $\pm 25\%$ of initial value(6.3,10V: $\leq \pm 30\%$)	$\tan \delta$	Not more than 200% of the specified value.	Appearance	There shall be no leakage of electrolyte.						
Leakage current	Value in 4.3 shall be satisfied															
Capacitance Change	Within $\pm 25\%$ of initial value(6.3,10V: $\leq \pm 30\%$)															
$\tan \delta$	Not more than 200% of the specified value.															
Appearance	There shall be no leakage of electrolyte.															

4.10	Surge test	<p><Condition> Applied a surge voltage to the capacitor connected with a $(100 \pm 50)/C_R$ (kΩ) resistor. The capacitor shall be submitted to 1000 cycles, each consisting of charge of $30 \pm 5s$, followed discharge of 5 min 30s. The test temperature shall be 15~35°C. C_R :Nominal Capacitance (μ F)</p> <p><Criteria></p> <table border="1"> <tr> <td>Leakage current</td> <td>Not more than the specified value.</td> </tr> <tr> <td>Capacitance Change</td> <td>Within $\pm 15\%$ of initial value.</td> </tr> <tr> <td>$\tan \delta$</td> <td>Not more than the specified value.</td> </tr> <tr> <td>Appearance</td> <td>There shall be no leakage of electrolyte.</td> </tr> </table> <p>Attention: This test simulates over voltage at abnormal situation only. It is not applicable to such over voltage as often applied.</p>	Leakage current	Not more than the specified value.	Capacitance Change	Within $\pm 15\%$ of initial value.	$\tan \delta$	Not more than the specified value.	Appearance	There shall be no leakage of electrolyte.
Leakage current	Not more than the specified value.									
Capacitance Change	Within $\pm 15\%$ of initial value.									
$\tan \delta$	Not more than the specified value.									
Appearance	There shall be no leakage of electrolyte.									
4.11	Vibration test	<p><Condition> The following conditions shall be applied for 2 hours in each 3 mutually perpendicular directions.</p> <p>Vibration frequency range : 10Hz ~ 55Hz Peak to peak amplitude : 1.5mm Sweep rate : 10Hz ~ 55Hz ~ 10Hz in about 1 minute</p> <p>Mounting method: The capacitor with diameter greater than 12.5mm or longer than 25mm must be fixed in place with a bracket.</p> 								

Name		Specification Sheet – SK	
Version	01	Page	10
STANDARD MANUAL			

		<p><Criteria> After the test, the following items shall be tested:</p> <table border="1" style="width: 100%; border-collapse: collapse;"> <tr> <td style="width: 30%;">Inner construction</td> <td>No intermittent contacts, open or short circuiting. No damage of tab terminals or electrodes.</td> </tr> <tr> <td>Appearance</td> <td>No mechanical damage in terminal. No leakage of electrolyte or swelling of the case. The markings shall be legible.</td> </tr> </table>	Inner construction	No intermittent contacts, open or short circuiting. No damage of tab terminals or electrodes.	Appearance	No mechanical damage in terminal. No leakage of electrolyte or swelling of the case. The markings shall be legible.				
Inner construction	No intermittent contacts, open or short circuiting. No damage of tab terminals or electrodes.									
Appearance	No mechanical damage in terminal. No leakage of electrolyte or swelling of the case. The markings shall be legible.									
4.12	Solderability test	<p><Condition> The capacitor shall be tested under the following conditions: Soldering temperature : 245±3°C Dipping depth : 2mm Dipping speed : 25±2.5mm/s Dipping time : 3±0.5s</p> <p><Criteria></p> <table border="1" style="width: 100%; border-collapse: collapse;"> <tr> <td style="width: 60%;">Coating quality</td> <td>A minimum of 95% of the surface being immersed</td> </tr> </table>	Coating quality	A minimum of 95% of the surface being immersed						
Coating quality	A minimum of 95% of the surface being immersed									
4.13	Resistance to solder heat test	<p><Condition> Terminals of the capacitor shall be immersed into solder bath at 260±5°C for 10±1 seconds or 400±10°C for 3⁺¹₋₀ seconds to 1.5~2.0mm from the body of capacitor .</p> <p>Then the capacitor shall be left under the normal temperature and normal humidity for 1~2 hours before measurement.</p> <p><Criteria></p> <table border="1" style="width: 100%; border-collapse: collapse;"> <tr> <td style="width: 30%;">Leakage current</td> <td>Not more than the specified value.</td> </tr> <tr> <td>Capacitance Change</td> <td>Within ± 10% of initial value.</td> </tr> <tr> <td>tan δ</td> <td>Not more than the specified value.</td> </tr> <tr> <td>Appearance</td> <td>There shall be no leakage of electrolyte.</td> </tr> </table>	Leakage current	Not more than the specified value.	Capacitance Change	Within ± 10% of initial value.	tan δ	Not more than the specified value.	Appearance	There shall be no leakage of electrolyte.
Leakage current	Not more than the specified value.									
Capacitance Change	Within ± 10% of initial value.									
tan δ	Not more than the specified value.									
Appearance	There shall be no leakage of electrolyte.									

4.14	Change of temperature test	<p><Condition> Temperature Cycle: According to IEC60384-4No.4.7 methods, capacitor shall be placed in an oven, the condition according as below:</p> <table border="1" data-bbox="632 483 1394 689"> <thead> <tr> <th>Temperature</th> <th>Time</th> </tr> </thead> <tbody> <tr> <td>(1)+20°C</td> <td>≤3 Minutes</td> </tr> <tr> <td>(2) -40°C</td> <td>30±2 Minutes</td> </tr> <tr> <td>(3)+105°C</td> <td>30±2 Minutes</td> </tr> <tr> <td colspan="2">(1) to (3)=1 cycle, total 5 cycle</td> </tr> </tbody> </table> <p><Criteria> The characteristic shall meet the following requirement</p> <table border="1" data-bbox="632 786 1394 904"> <tbody> <tr> <td>Leakage current</td> <td>Not more than the specified value.</td> </tr> <tr> <td>tan δ</td> <td>Not more than the specified value.</td> </tr> <tr> <td>Appearance</td> <td>There shall be no leakage of electrolyte.</td> </tr> </tbody> </table>	Temperature	Time	(1)+20°C	≤3 Minutes	(2) -40°C	30±2 Minutes	(3)+105°C	30±2 Minutes	(1) to (3)=1 cycle, total 5 cycle		Leakage current	Not more than the specified value.	tan δ	Not more than the specified value.	Appearance	There shall be no leakage of electrolyte.
Temperature	Time																	
(1)+20°C	≤3 Minutes																	
(2) -40°C	30±2 Minutes																	
(3)+105°C	30±2 Minutes																	
(1) to (3)=1 cycle, total 5 cycle																		
Leakage current	Not more than the specified value.																	
tan δ	Not more than the specified value.																	
Appearance	There shall be no leakage of electrolyte.																	
4.15	Damp heat test	<p><Condition> Humidity Test: According to IEC60384-4No.4.12methods, capacitor shall be exposed for 500±8 hours in an atmosphere of 90~95%R H .at 40±2°C, the characteristic change shall meet the following requirement.</p> <p><Criteria></p> <table border="1" data-bbox="619 1417 1407 1576"> <tbody> <tr> <td>Leakage current</td> <td>Not more than the specified value.</td> </tr> <tr> <td>Capacitance Change</td> <td>Within ±20% of initial value.</td> </tr> <tr> <td>tan δ</td> <td>Not more than 120%of the specified value.</td> </tr> <tr> <td>Appearance</td> <td>There shall be no leakage of electrolyte.</td> </tr> </tbody> </table>	Leakage current	Not more than the specified value.	Capacitance Change	Within ±20% of initial value.	tan δ	Not more than 120%of the specified value.	Appearance	There shall be no leakage of electrolyte.								
Leakage current	Not more than the specified value.																	
Capacitance Change	Within ±20% of initial value.																	
tan δ	Not more than 120%of the specified value.																	
Appearance	There shall be no leakage of electrolyte.																	

Name		Specification Sheet – SK			
Version	01		Page	12	
STANDARD MANUAL					

4.16	Vent test	<p><Condition> The following test only apply to those products with vent products at diameter $\geq \varnothing 6.3$ with vent.</p> <p>D.C. test The capacitor is connected with its polarity reversed to a DC power source. Then a current selected from Table 2 is applied.</p> <p><Table 2></p> <table border="1" style="margin-left: auto; margin-right: auto;"> <tr> <th style="text-align: center;">Diameter (mm)</th> <th style="text-align: center;">DC Current (A)</th> </tr> <tr> <td style="text-align: center;">22.4 or less</td> <td style="text-align: center;">1</td> </tr> </table> <p><Criteria> The vent shall operate with no dangerous conditions such as flames or dispersion of pieces of the capacitor and/or case.</p>	Diameter (mm)	DC Current (A)	22.4 or less	1																										
Diameter (mm)	DC Current (A)																															
22.4 or less	1																															
4.17	Maximum permissible (ripple current)	<p><Condition> The maximum permissible ripple current is the maximum A.C current at 100kHz and can be applied at maximum operating temperature Table-3 The combined value of D.C voltage and the peak A.C voltage shall not exceed the rated voltage and shall not reverse voltage.</p> <p>Frequency Multipliers:</p> <table border="1" style="margin-left: auto; margin-right: auto;"> <thead> <tr> <th style="text-align: center;">Coefficient Cap. (μ F)</th> <th style="text-align: center;">Freq. (Hz)</th> <th style="text-align: center;">120</th> <th style="text-align: center;">1k</th> <th style="text-align: center;">10k</th> <th style="text-align: center;">100k</th> </tr> </thead> <tbody> <tr> <td style="text-align: center;">56~270</td> <td></td> <td style="text-align: center;">0.50</td> <td style="text-align: center;">0.73</td> <td style="text-align: center;">0.92</td> <td style="text-align: center;">1.00</td> </tr> <tr> <td style="text-align: center;">330~680</td> <td></td> <td style="text-align: center;">0.55</td> <td style="text-align: center;">0.77</td> <td style="text-align: center;">0.94</td> <td style="text-align: center;">1.00</td> </tr> <tr> <td style="text-align: center;">820~1800</td> <td></td> <td style="text-align: center;">0.60</td> <td style="text-align: center;">0.80</td> <td style="text-align: center;">0.96</td> <td style="text-align: center;">1.00</td> </tr> <tr> <td style="text-align: center;">2200~8200</td> <td></td> <td style="text-align: center;">0.70</td> <td style="text-align: center;">0.85</td> <td style="text-align: center;">0.98</td> <td style="text-align: center;">1.00</td> </tr> </tbody> </table>	Coefficient Cap. (μ F)	Freq. (Hz)	120	1k	10k	100k	56~270		0.50	0.73	0.92	1.00	330~680		0.55	0.77	0.94	1.00	820~1800		0.60	0.80	0.96	1.00	2200~8200		0.70	0.85	0.98	1.00
Coefficient Cap. (μ F)	Freq. (Hz)	120	1k	10k	100k																											
56~270		0.50	0.73	0.92	1.00																											
330~680		0.55	0.77	0.94	1.00																											
820~1800		0.60	0.80	0.96	1.00																											
2200~8200		0.70	0.85	0.98	1.00																											

MAN YUE ELECTRONICS COMPANY LIMITED	ELECTROLYTIC CAPACITOR SPECIFICATION SK SERIES	SAMXON	

5. It refers to the latest document of “Environment-related Substances standard”(WI-HSPM-QA-072).

Substances	
Heavy metals	Cadmium and cadmium compounds
	Lead and lead compounds
	Mercury and mercury compounds
	Hexavalent chromium compounds
Chlorinated organic compounds	Polychlorinated biphenyls (PCB)
	Polychlorinated naphthalenes (PCN)
	Polychlorinated terphenyls (PCT)
	Short-chain chlorinated paraffins(SCCP)
	Other chlorinated organic compounds
Brominated organic compounds	Polybrominated biphenyls (PBB)
	Polybrominated diphenylethers(PBDE) (including decabromodiphenyl ether[DecaBDE])
	Other brominated organic compounds
Tributyltin compounds(TBT)	
Triphenyltin compounds(TPT)	
Asbestos	
Specific azo compounds	
Formaldehyde	
Polyvinyl chloride (PVC) and PVC blends	
Beryllium oxide	
Beryllium copper	
Specific phthalates (DEHP,DBP,BBP,DINP,DIDP,DNOP,DNHP)	
Hydrofluorocarbon (HFC), Perfluorocarbon (PFC)	
Perfluorooctane sulfonates (PFOS)	
Specific Benzotriazole	

Name		Specification Sheet – SK	
Version	01	Page	14
STANDARD MANUAL			

MAN YUE ELECTRONICS COMPANY LIMITED	<i>ELECTROLYTIC CAPACITOR SPECIFICATION SK SERIES</i>	SAMXON

Attachment: Application Guidelines

1.Circuit Design

1.1 Operating Temperature and Frequency
 Electrolytic capacitor electrical parameters are normally specified at 20°C temperature and 120Hz frequency. These parameters vary with changes in temperature and frequency. Circuit designers should take these changes into consideration.

(1) Effects of operating temperature on electrical parameters

a) At higher temperatures, leakage current and capacitance increase while equivalent series resistance (ESR) decreases.

b) At lower temperatures, leakage current and capacitance decrease while equivalent series resistance (ESR) increases.

(2) Effects of frequency on electrical parameters

a) At higher frequencies capacitance and impedance decrease while $\tan \delta$ increases.

b) At lower frequencies, ripple current generated heat will rise due to an increase in equivalent series resistance (ESR).

1.2 Operating Temperature and Life Expectancy
 See the file: Life calculation of aluminum electrolytic capacitor

1.3 Common Application Conditions to Avoid
 The following misapplication load conditions will cause rapid deterioration to capacitor electrical parameters. In addition, rapid heating and gas generation within the capacitor can occur causing the pressure relief vent to operate and resultant leakage of electrolyte. Under Leaking electrolyte is combustible and electrically conductive.

Name		Specification Sheet – SK		
Version	01		Page	15
STANDARD MANUAL				

MAN YUE ELECTRONICS COMPANY LIMITED	<i>ELECTROLYTIC CAPACITOR SPECIFICATION SK SERIES</i>	SAMXON	

- (1) Reverse Voltage
DC capacitors have polarity. Verify correct polarity before insertion. For circuits with changing or uncertain polarity, use DC bipolar capacitors. DC bipolar capacitors are not suitable for use in AC circuits.
- (2) Charge / Discharge Applications
Standard capacitors are not suitable for use in repeating charge / discharge applications. For charge / discharge applications consult us and advise actual conditions.
- (3) Over voltage
Do not apply voltages exceeding the maximum specified rated voltage. Voltages up to the surge voltage rating are acceptable for short periods of time. Ensure that the sum of the DC voltage and the superimposed AC ripple voltage does not exceed the rated voltage.
- (4) Ripple Current
Do not apply ripple currents exceeding the maximum specified value. For high ripple current applications, use a capacitor designed for high ripple currents or contact us with your requirements.
Ensure that allowable ripple currents superimposed on low DC bias voltages do not cause reverse voltage conditions.
- 1.4 Using Two or More Capacitors in Series or Parallel
- (1) Capacitors Connected in Parallel
The circuit resistance can closely approximate the series resistance of the capacitor causing an imbalance of ripple current loads within the capacitors. Careful design of wiring methods can minimize the possibility of excessive ripple currents applied to a capacitor.
- (2) Capacitors Connected in Series
Normal DC leakage current differences among capacitors can cause voltage imbalances. The use of voltage divider shunt resistors with consideration to leakage current can prevent capacitor voltage imbalances.
- 1.5 Capacitor Mounting Considerations
- (1) Double Sided Circuit Boards
Avoid wiring pattern runs, which pass between the mounted capacitor and the circuit board.
When dipping into a solder bath, excess solder may collect under the capacitor by capillary action and short circuit the anode and cathode terminals.
- (2) Circuit Board Hole Positioning
The vinyl sleeve of the capacitor can be damaged if solder passes through a lead hole for subsequently processed parts. Special care when locating hole positions in proximity to capacitors is recommended.
- (3) Circuit Board Hole Spacing
The circuit board holes spacing should match the capacitor lead wire spacing within the specified tolerances. Incorrect spacing can cause excessive lead wire stress during the insertion process. This may result in premature capacitor failure due to short or open circuit, increased leakage current, or electrolyte leakage.

Name		Specification Sheet – SK		
Version	01		Page	16
STANDARD MANUAL				

MAN YUE ELECTRONICS COMPANY LIMITED	<i>ELECTROLYTIC CAPACITOR SPECIFICATION SK SERIES</i>	SAMXON	

(4) Clearance for Case Mounted Pressure Relief vents
 Capacitors with case mounted pressure relief vents require sufficient clearance to allow for proper vent operation. The minimum clearances are dependent on capacitor diameters as proper vent operation. The minimum clearances are dependent on capacitor diameters as follows.
 ϕ 6.3~ ϕ 16mm:2mm minimum, ϕ 18~ ϕ 35mm:3mm minimum, ϕ 40mm or greater:5mm minimum.

(5) Clearance for Seal Mounted Pressure Relief Vents
 A hole in the circuit board directly under the seal vent location is required to allow proper release of pressure.

(6) Wiring Near the Pressure Relief Vent
 Avoid locating high voltage or high current wiring or circuit board paths above the pressure relief vent. Flammable, high temperature gas exceeding 100°C may be released which could dissolve the wire insulation and ignite.

(7) Circuit Board patterns Under the Capacitor
 Avoid circuit board runs under the capacitor as electrolyte leakage could cause an electrical short.

(8) Screw Terminal Capacitor Mounting
 Do not orient the capacitor with the screw terminal side of the capacitor facing downwards.
 Tighten the terminal and mounting bracket screws within the torque range specified in the specification.

1.6 Electrical Isolation of the Capacitor
 Completely isolate the capacitor as follows.

(1) Between the cathode and the case (except for axially leaded B types) and between the anode terminal and other circuit paths

(3) Between the extra mounting terminals (on T types) and the anode terminal, cathode terminal, and other circuit paths.

1.7 The Product endurance should take the sample as the standard.

1.8 If conduct the load or shelf life test, must be collect date code within 6 months products of sampling.

1.9 Capacitor Sleeve
 The vinyl sleeve or laminate coating is intended for marking and identification purposes and is not meant to electrically insulate the capacitor.
 The sleeve may split or crack if immersed into solvents such as toluene or xylene, and then exposed to high temperatures.

CAUTION!

Always consider safety when designing equipment and circuits. Plan for worst case failure modes such as short circuits and open circuits which could occur during use.

(1) Provide protection circuits and protection devices to allow safe failure modes.

(2) Design redundant or secondary circuits where possible to assure continued operation in case of main circuit failure.

Name		Specification Sheet – SK	
Version	01	Page	17
STANDARD MANUAL			

MAN YUE ELECTRONICS COMPANY LIMITED	<i>ELECTROLYTIC CAPACITOR SPECIFICATION SK SERIES</i>	SAMXON	

2.Capacitor Handling Techniques

2.1 Considerations Before Using

- (1) Capacitors have a finite life. Do not reuse or recycle capacitors from used equipment.
- (2) Transient recovery voltage may be generated in the capacitor due to dielectric absorption. If required, this voltage can be discharged with a resistor with a value of about 1k Ω .
- (3) Capacitors stored for long periods of time may exhibit an increase in leakage current. This can be corrected by gradually applying rated voltage in series with a resistor of approximately 1k Ω .
- (4) If capacitors are dropped, they can be damaged mechanically or electrically. Avoid using dropped capacitors.
- (5) Dented or crushed capacitors should not be used. The seal integrity can be compromised and loss of electrolyte / shortened life can result.

2.2 Capacitor Insertion

- * (1) Verify the correct capacitance and rated voltage of the capacitor.
- * (2) Verify the correct polarity of the capacitor before inserting.
- * (3) Verify the correct hole spacing before insertion (land pattern size on chip type) to avoid stress on the terminals.
- (4) Ensure that the auto insertion equipment lead clinching operation does not stress the capacitor leads where they enter the seal of the capacitor.

For chip type capacitors, excessive mounting pressure can cause high leakage current, short circuit, or disconnection.

2.3 Manual Soldering

- (1) Observe temperature and time soldering specifications or do not exceed temperatures of 400 °C for 3 seconds or less.
- (2) If lead wires must be formed to meet terminal board hole spacing, avoid stress on the lead wire where it enters the capacitor seal.
- (3) If a soldered capacitor must be removed and reinserted, avoid excessive stress to the capacitor leads.
- (4) Avoid touching the tip of the soldering iron to the capacitor, to prevent melting of the vinyl sleeve.

2.4 Flow Soldering

- (1) Do not immerse the capacitor body into the solder bath as excessive internal pressure could result.
- (2) Observe proper soldering conditions (temperature, time, etc.) Do not exceed the specified limits.
- (3) Do not allow other parts or components to touch the capacitor during soldering.

2.5 Other Soldering Considerations

Rapid temperature rises during the preheat operation and resin bonding operation can cause cracking of the capacitor vinyl sleeve.

For heat curing, do not exceed 150°C for a maximum time of 2 minutes.

Name		Specification Sheet – SK	
Version	01	Page	18
STANDARD MANUAL			

MAN YUE ELECTRONICS COMPANY LIMITED	<i>ELECTROLYTIC CAPACITOR SPECIFICATION SK SERIES</i>	SAMXON	

2.6 Capacitor Handling after Solder

- (1). Avoid movement of the capacitor after soldering to prevent excessive stress on the lead wires where they enter the seal.
- (2). Do not use capacitor as a handle when moving the circuit board assembly.
- (3). Avoid striking the capacitor after assembly to prevent failure due to excessive shock.

2.7 Circuit Board Cleaning

- * (1) Circuit boards can be immersed or ultrasonically cleaned using suitable cleaning solvents for up to 5 minutes and up to 60°C maximum temperatures. The boards should be thoroughly rinsed and dried.
The use of ozone depleting cleaning agents is not recommended in the interest of protecting the environment.
- * (2) Avoid using the following solvent groups unless specifically allowed for in the specification;
 - Halogenated cleaning solvents: except for solvent resistant capacitor types, halogenated solvents can permeate the seal and cause internal capacitor corrosion and failure. For solvent resistant capacitors, carefully follow the temperature and time requirements of the specification. 1-1-1 trichloroethane should never be used on any aluminum electrolytic capacitor.
 - Alkali solvents : could attack and dissolve the aluminum case.
 - Petroleum based solvents: deterioration of the rubber seal could result.
 - Xylene : deterioration of the rubber seal could result.
 - Acetone : removal of the ink markings on the vinyl sleeve could result.
- * (3) A thorough drying after cleaning is required to remove residual cleaning solvents which may be trapped between the capacitor and the circuit board. Avoid drying temperatures, which exceed the maximum rated temperature of the capacitor.
- * (4) Monitor the contamination levels of the cleaning solvents during use by electrical conductivity, pH, specific gravity, or water content. Chlorine levels can rise with contamination and adversely affect the performance of the capacitor.
Please consult us for additional information about acceptable cleaning solvents or cleaning methods.

2.8 Mounting Adhesives and Coating Agents

When using mounting adhesives or coating agents to control humidity, avoid using materials containing halogenated solvents. Also, avoid the use of chloroprene based polymers.

After applying adhesives or coatings, dry thoroughly to prevent residual solvents from being trapped between the capacitor and the circuit board.

3. Precautions for using capacitors

3.1 Environmental Conditions

Capacitors should not be stored or used in the following environments.

- * (1) Temperature exposure above the maximum rated or below the minimum rated temperature of the capacitor.
- * (2) Direct contact with water, salt water, or oil.
- * (3) High humidity conditions where water could condense on the capacitor.

Name		Specification Sheet – SK		
Version	01	Page	19	
STANDARD MANUAL				

MAN YUE ELECTRONICS COMPANY LIMITED	<i>ELECTROLYTIC CAPACITOR SPECIFICATION SK SERIES</i>	SAMXON	

- * (4) Exposure to toxic gases such as hydrogen sulfide, sulfuric acid, nitric acid chlorine, or ammonia.
- * (5) Exposure to ozone, radiation, or ultraviolet rays.
- * (6) Vibration and shock conditions exceeding specified requirements.

3.2 Electrical Precautions

- (1) Avoid touching the terminals of the capacitor as possible electric shock could result. The exposed aluminum case is not insulated and could also cause electric shock if touched.
- (2) Avoid short circuit the area between the capacitor terminals with conductive materials including liquids such as acids or alkaline solutions.

4. Emergency Procedures

- (1) If the pressure relief vent of the capacitor operates, immediately turn off the equipment and disconnect from the power source. This will minimize additional damage caused by the vaporizing electrolyte.
- (2) Avoid contact with the escaping electrolyte gas which can exceed 100°C temperatures.
If electrolyte or gas enters the eye, immediately flush the eyes with large amounts of water.
If electrolyte or gas is ingested by mouth, gargle with water.
If electrolyte contacts the skin, wash with soap and water.

5. Long Term Storage

Leakage current of a capacitor increases with long storage times. The aluminum oxide film deteriorates as a function of temperature and time. If used without reconditioning, an abnormally high current will be required to restore the oxide film. This current surge could cause the circuit or the capacitor to fail.

After one year, a capacitor should be reconditioned by applying rated voltage in series with a 1000 Ω ,current limiting resistor for a time period of 30 minutes .

If the expired date of products date code is over eighteen months, the products should be return to confirmation.

5.1 Environmental Conditions

The capacitor shall be not use in the following condition:

- (1) Temperature exposure above the maximum rated or below the minimum rated temperature of the capacitor.
- (2) Direct contact with water, salt water, or oil.
- (3) High humidity conditions where water could condense on the capacitor.
- (4) Exposure to toxic gases such as hydrogen sulfide, sulfuric acid, nitric acid, chlorine, or ammonia.
- (5) Exposure to ozone, radiation, or ultraviolet rays.
- (6) Vibration and shock conditions exceeding specified requirements.

6. Capacitor Disposal

When disposing of capacitors, use one of the following methods.

- * Incinerate after crushing the capacitor or puncturing the can wall (to prevent explosion due to internal pressure rise). Capacitors should be incinerated at high temperatures to prevent the release of toxic gases such as chlorine from the polyvinyl chloride sleeve, etc.
- * Dispose of as solid waste.

NOTE: Local laws may have specific disposal requirements, which must be followed.

Name		Specification Sheet – SK	
Version	01	Page	20
STANDARD MANUAL			